



HANGCHA GROUP CO., LTD.

Factory site: 666 Xiangfu Road,
Hangzhou, Zhejiang, China (311305)

Tel: +86-571-88926735 88926755
Fax: +86-571-88926789 88132890

sales@hcforklift.com www.hcforklift.com



Follow us on
Facebook



Follow us on
YouTube



Follow us on
WeChat



Download "Hangcha
Forklift" App



ISO45001:2018



ISO14001:2015



ISO9001:2015



HANGCHA trucks conform
to the European Safety
Requirements.

XA III SERIES

ELECTRIC FORKLIFT TRUCK WITH
LITHIUM POWER

With capacity of 2,000 to 3,800kg

HANGCHA GROUP CO., LTD. reserves the right to make any changes without notice concerning colors, equipment, or specifications detailed in this brochure, or to discontinue individual models. The colors of trucks, delivered may differ slightly from those in brochures.

BECOME THE FORKLIFT MEETING YOUR DIFFERENT NEEDS.

EFFICIENT OPERATION ■

COMFORTABLE EXPERIENCE ■

RELIABLE AND DURABLE ■



■ COST-EFFICIENT

■ CONVENIENT MAINTENANCE

■ CONVENIENT

■ ERGONOMIC DESIGN

XA III SERIES ELECTRIC FORKLIFT TRUCK WITH LITHIUM POWER

Your reliable, powerful and connected working machine.

XA series four-pivot lithium battery forklifts are a new generation of products developed by Hangzhou. The design concept is to inherit the appearance of "Leiting" series products while improving the performance of the products, expanding the optional battery capacity, optimizing the internal structure, and adopting a series of mature components, which can meet the requirements of more complex and high-intensity work.

REVOLUTIONARY PERFORMANCE.

EFFICIENT OPERATION

- Compared with the previous generation of "Leiting", it boasts better performance and stronger load capacity, capable of meeting the use requirements of higher-intensity operating conditions.
- Through the rational layout and optimal matching of the hydraulic and electrical systems, the energy loss is lower and the efficiency is higher.

Model	CPD30-XAJ4-I	CPD30-XAJ4-IL
Travel speed(km/h)	14/15	12/13
Lift speed(mm/s)	400/500	290/400
Turning radius(mm)	2375	2375
Free lift(mm)	165	170
Axle loading, laden front/rear(kg)	6430/830	6430/740
Drive motor rating(kW)	15	14.6
Lift motor rating(kW)	24	16

OPTIONAL BATTERY LIST

Capacity [Ah]	2.0-3.8t 80V
230	●
304	○

EVE	Capacity [Ah]	2.0-3.8t 80V
	150	○

Note: ● Battery Std; ○ Battery Opt; - Null



COMFORTABLE EXPERIENCE

The wide-view mast with optimized design is unlikely to obstruct the operator's line of sight. The enlarged opening size of the fork carriage enables a wider view, a large operation space, and excellent ergonomic design.



BRING REVOLUTIONARY TO YOUR JOB.



INTELLIGENT

The large-screen interactive instruments adopted are designed to have graphical interfaces, more adjustable parameters, and very intuitive graphic interfaces. The interfaces can be switched to be shown in Chinese and English to meet the needs of customers at home and abroad.



PROTECT YOUR INVESTMENT

RELIABLE AND DURABLE

- The sturdy and durable mast, front and rear axles, and tires for internal combustion forklifts are used. With a sufficient large distance from the ground, the forklift can be easily driven on the bumpy ground outdoors.
- The mature parts with an annual output of 100,000 pcs from Hangcha adopted allow better versatility, stable and reliable quality, and convenient maintenance;

 100,000 PCS



FROM INTERNAL COMBUSTION VEHICLES



Frame



Drive axle



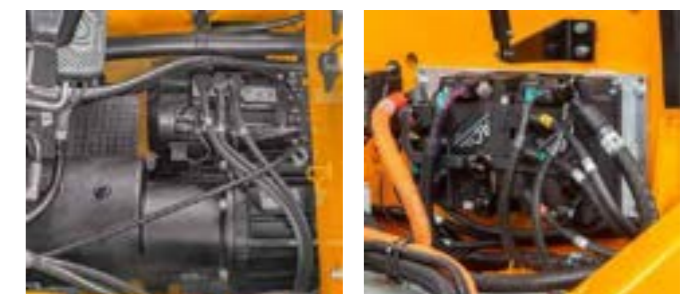
Steering bridge, tires



Top guard

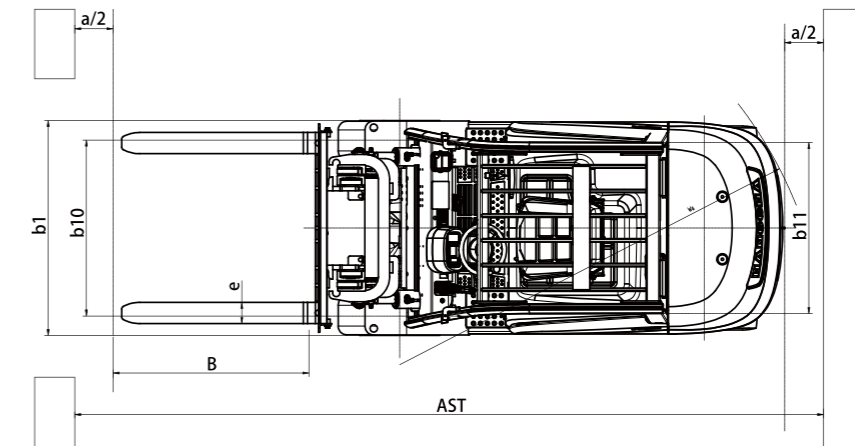
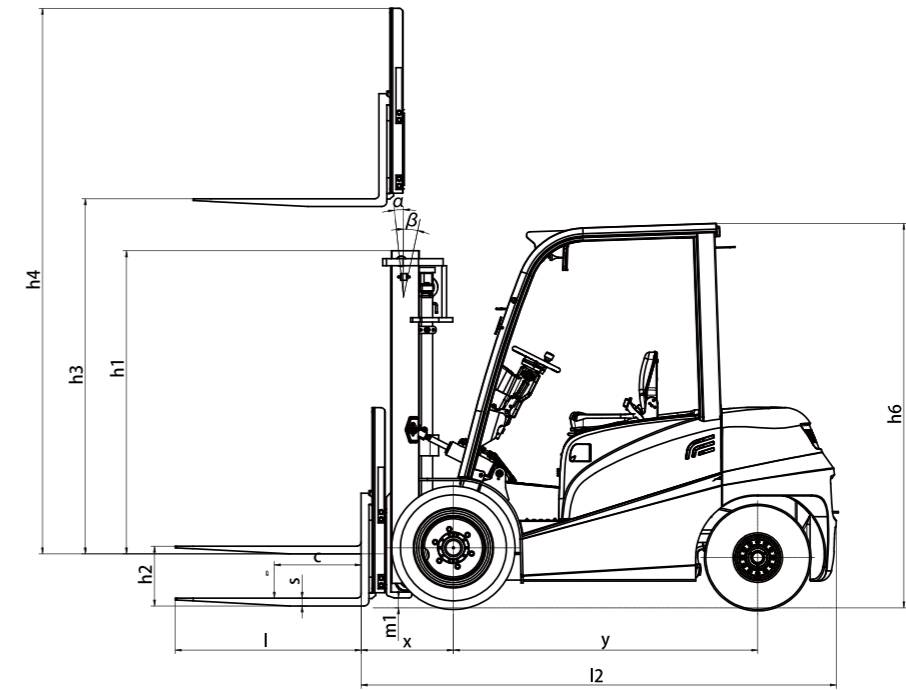
COST-EFFICIENT

- Equipped with high-end key parts, the forklift is cost-efficient and enables easy handling.
- Optional 35A charger with a 220V charging plug provided is practical and convenient.
- The lithium battery of Hangcha Electric adopted has standard electric heating feature, exhibiting good quality and long service life without fear of the cold.

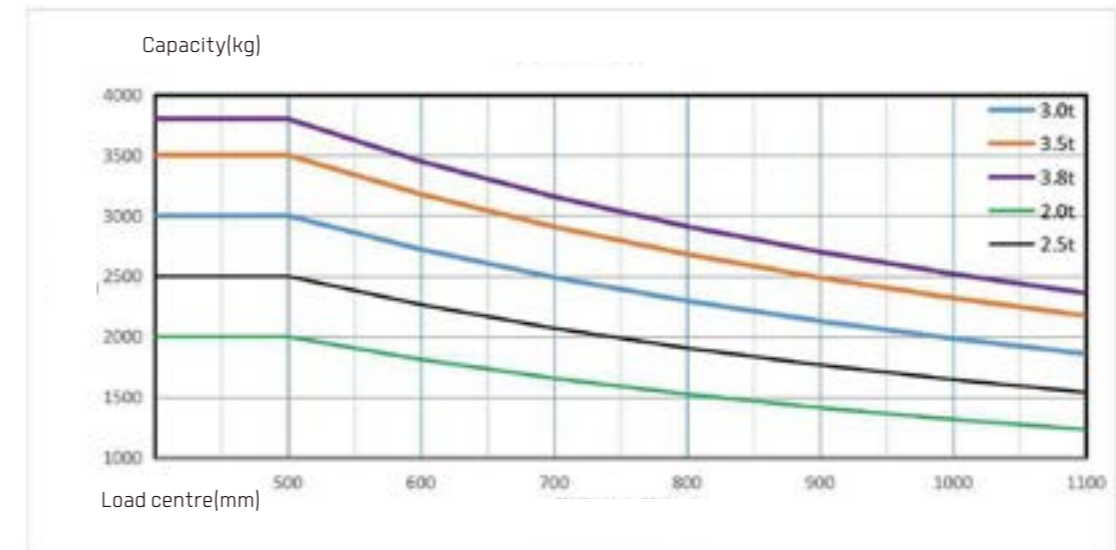


Technical Data

Distinguishing mark	HANGCHA GROUP CO.,LTD.						
		CPD20-XAJ4-I	CPD25-XAJ4-I	CPD30-XAJ4-I	CPD35-XAJ4-I	CPD38-XAJ4-I	
1.1	Manufacturer						
1.2	Manufacturer's type designation	CPD20-XAJ4-I	CPD25-XAJ4-I	CPD30-XAJ4-I	CPD35-XAJ4-I	CPD38-XAJ4-I	
1.3	Drive: electric [battery or mains], diesel, petrol, fuel gas	Electric	Electric	Electric	Electric	Electric	
1.4	Operator type: hand, pedestrian, standing, seated, order-picker	Seated	Seated	Seated	Seated	Seated	
1.5	Rated capacity/rated load	kg	2000	2500	3000	3500	3800
1.6	Load centre distance	c (mm)	500	500	500	500	500
1.8	Load distance, centre of drive axle to fork	x (mm)	462.5	462.5	477.5	482.5	482.5
1.9	Wheelbase	y (mm)	1650	1650	1750	1750	1750
2.1	Service Weight	kg	3280	3650	4260	4620	4860
2.2	Axle loading, laden front/rear	kg	4600/660	5390/750	6430/830	7210/910	7630/950
2.3	Axle loading, unladen front/rear	kg	1450/1820	1430/2210	1750/2510	1740/2870	1700/3090
3.1	Tyres: solid rubber, superelastic, pneumatic, polyurethane		Pneumatic	Pneumatic	Pneumatic	Pneumatic	Pneumatic
3.2	Tyre size, front		7.00-12-12PR	7.00-12-12PR	28x9-15-14PR	28x9-15-14PR	28x9-15-14PR
3.3	Tyre size, rear		6.00-9-10PR	6.00-9-10PR	6.50-10-10PR	6.50-10-10PR	6.50-10-11PR
3.5	Wheels, number front / rear (x = driven wheels)		2x/2	2x/2	2x/2	2x/2	2x/2
3.6	Tread, front	b10 (mm)	965	965	1005	1005	1005
3.7	Tread, rear	b11 (mm)	975	975	975	975	975
4.1	Tilt of mast/fork carriage forward/backward	a/b (°)	6/12	6/12	6/12	6/12	6/12
4.2	Height, mast lowered	h1 (mm)	1999	1999	2054	2169	2169
4.3	Free lift	h2 (mm)	160	160	165	170	170
4.4	Lift	h3 (mm)	3000	3000	3000	3000	3000
4.5	Height, mast extended	h4 (mm)	4046	4046	4145	4145	4145
4.7	Height of overhead guard (cabin)	h6 (mm)	2200	2200	2210	2210	2210
4.8	Seat height/stand height	h7 (mm)	1110	1110	1126	1126	1126
4.12	Coupling height	h10 (mm)	380	380	515	515	515
4.19	Overall length	l1 (mm)	3600	3600	3750	3755	3755
4.20	Length to face of forks	l2 (mm)	2520	2520	2680	2685	2685
4.21	Overall width	b1/b2 (mm)	1240	1240	1240	1240	1240
4.22	Fork dimensions	s / e / l (mm)	40/122/1070	40/122/1070	45x122x1070	50x122x1070	50x122x1070
4.23	Fork carriage ISO 2328, class/type A,B		ISO2328 3A	ISO2328 3A	ISO2328 3A	ISO2328 3A	ISO2328 3A
4.24	Fork-carriage width	b3 (mm)	1038	1038	1100	1100	1100
4.31	Ground clearance, laden, below mast	m1 (mm)	100	100	139	139	139
4.32	Ground clearance, centre of wheelbase	m2 (mm)	135	135	150	150	150
4.34.1	Aisle width for pallets 1000 x 1200 crossways	Ast (mm)	4182.5	4182.5	4053	4083	4083
4.34.2	Aisle width for pallets 800 x 1200 lengthways		3982.5	3982.5	4253	4283	4283
4.35	Turning radius	Wa (mm)	2230	2230	2375	2375	2375
4.36	Internal turning radius	b13 (mm)	/	/	/	/	/
5.1	Travel speed, laden/unladen	km/h	14/15	14/15	14/15	14/15	14/15
5.2	Lift speed, laden/unladen	mm/s	400/500	400/500	400/500	350/440	350/440
5.3	Lowering speed, laden/unladen	mm/s	450/500	450/500	470/420	470/420	470/420
5.6	Max. Drawbar pull, laden/unladen	KN	11.0	11.0	13.5	14.0	13.0
5.8	Max. gradeability, laden/unladen	%	18/25	18/25	18/25	16/25	15/25
5.9	Acceleration time, laden/unladen (0-10m)	s	/	/	/	/	/
5.10	Service brake		Hydraulic	Hydraulic	Hydraulic	Hydraulic	Hydraulic
5.11	Parking brake		Mechanical	Mechanical	Mechanical	Mechanical	Mechanical
6.1	Drive motor rating S2 60 min	kW	15AC	15AC	15AC	15AC	15AC
6.2	Lift motor rating at S3 15%	kW	24AC	24AC	24AC	24AC	24AC
6.3	Battery acc. to DIN 43531/35/36 A,B,C, no		/	/	/	/	/
6.4	Battery voltage, nominal capacity K5	(V)/(Ah) or kWh	80/230	80/230	80/230	80/230	80/230
6.5	Battery weight	kg	350	350	350	350	350
10.1	Operating pressure for attachments	MPa	18.5	18.5	18.5	18.5	21
10.2	Oil volume for attachments	ℓ/min	65	65	65	65	65



AST=a+Wa+x+B a=200 mm safety clearance



2-2.5t Mast specification

Type	Model	Lifting height	Lowered overall height	Overall height		Free lift height		Tilt range	Capacity (Mast vertical to ground)			
				Without backrest	With backrest	Without backrest	With backrest		Load Capacity at 500mm			
									Single Tire		Double tire	
				mm	mm	mm	mm		2t	2.5t	2t	2.5t
Duplex wide view mast	A2A25M200	2000	1499	2707	3046	160	160	6/6	2000	2500	2000	2500
	A2A25M250	2500	1749	3207	3546	160	160	6/12	2000	2500	2000	2500
	A2A25M270	2700	1849	3407	3746	160	160	6/12	2000	2500	2000	2500
	A2A25M300	3000	1999	3707	4046	160	160	6/12	2000	2500	2000	2500
	A2A25M330	3300	2149	4007	4346	160	160	6/12	2000	2500	2000	2500
	A2A25M360	3600	2349	4307	4646	160	160	6/12	2000	2500	2000	2500
	A2A25M400	4000	2599	4707	5046	160	160	6/12	2000	2500	2000	2500
	A2A25M430	4300	2749	5007	5346	160	160	6/6	2000	2500	2000	2500
	A2A25M450	4500	2849	5207	5546	160	160	6/6	2000	2450	2000	2500
	A2A25M480	4800	2999	5507	5846	160	160	6/6	1950	2350	2000	2450
	A2A25M500	5000	3099	5707	6046	160	160	6/6	1850	2300	1950	2350
	A2A25M550	5500	3349	6207	6546	160	160	3/6	1750	2150	1900	2200
	A2A25M600	6000	3599	6707	7046	160	160	3/6	1550	1900	1800	2000
	Duplex full-free mast	A2A25U250	2500	1764	3179	3546	1025	619	6/12	2000	2500	2000
A2A25U270		2700	1864	3379	3746	1125	719	6/12	2000	2500	2000	2500
A2A25U300		3000	2014	3679	4046	1275	869	6/12	2000	2500	2000	2500
A2A25U330		3300	2164	3979	4346	1425	1019	6/12	2000	2500	2000	2500
A2A25U360		3600	2314	4279	4646	1575	1169	6/12	2000	2500	2000	2500
A2A25U400		4000	2564	4679	5046	1825	1419	6/12	2000	2500	2000	2500
Triplex full-free mast	A2A25N400	4000	1964	4739	5046	1285	918	6/6	2000	2500	2000	2500
	A2A25N430	4300	2064	5039	5346	1385	1018	6/6	2000	2450	2000	2500
	A2A25N450	4500	2114	5239	5546	1435	1068	6/6	2000	2350	2000	2450
	A2A25N470	4700	2214	5439	5746	1535	1168	6/6	1950	2250	2000	2350
	A2A25N480	4800	2264	5539	5846	1585	1218	6/6	1950	2250	2000	2350
	A2A25N500	5000	2364	5739	6046	1685	1318	6/6	1850	2150	1950	2250
	A2A25N550	5500	2564	6239	6546	1885	1518	3/6	1750	2050	1900	2100
	A2A25N600	6000	2814	6739	7046	2135	1768	3/6	1550	1850	1800	1950
	A2A25N650	6500	3014	7239	7546	2335	1968	3/6	/	/	1550	1800
	A2A25N700	7000	3264	7764	8046	2500	2218	3/6	/	/	1150	1450

SUBTRACT 100kg WITH INTEGRAL SIDESHIFTER, SUBTRACT 150kg WITH EXTERNAL SIDESHIFTER.

3-3.8t Mast specification

Type	Model		Lifting height	Lowered overall height			Overall height				Free lift height				Tilt range	Capacity (Mast vertical to ground)											
				3t	3.5/3.8t	3.5t	3.8t	Without backrest		With backrest		Without backrest		With backrest		Load Capacity at 500mm											
								3t	3.5/3.8t	3t	3.5/3.8t	3t	3.5/3.8t	3t		3.5/3.8t	Single Tire			Double tire							
				mm	mm	mm	mm	mm	mm	mm	mm	mm	mm	mm		mm	mm	mm	mm	mm	mm	mm	mm	mm	mm	mm	mm
Duplex wide view mast	A2A30M200	A2A35M200	2000	1554	1669	2767	2842	3145	3145	165	170	165	170	6/6	3000	3500	3800	3000	3500	3800							
	A2A30M250	A2A35M250	2500	1804	1919	3267	3342	3645	3645	165	170	165	170	6/12	3000	3500	3800	3000	3500	3800							
	A2A30M270	A2A35M270	2700	1904	2019	3467	3542	3845	3845	165	170	165	170	6/12	3000	3500	3800	3000	3500	3800							
	A2A30M300	A2A35M300	3000	2054	2169	3767	3842	4145	4145	165	170	165	170	6/12	3000	3500	3800	3000	3500	3800							
	A2A30M330	A2A35M330	3300	2204	2319	4067	4142	4445	4445	165	170	165	170	6/12	3000	3500	3800	3000	3500	3800							
	A2A30M360	A2A35M360	3600	2404	2469	4367	4442	4745	4745	165	170	165	170	6/12	3000	3500	3800	3000	3500	3800							
	A2A30M400	A2A35M400	4000	2654	2769	4767	4842	5145	5145	165	170	165	170	6/12	3000	3500	3800	3000	3500	3800							
	A2A30M430	A2A35M430	4300	2804	2919	5067	5142	5445	5445	165	170	165	170	6/6	3000	3400	3700	3000	3500	3800							
	A2A30M450	A2A35M450	4500	2904	3019	5267	5342	5645	5645	165	170	165	170	6/6	3000	3300	3600	3000	3400	3700							
	A2A30M480	A2A35M480	4800	3054	3169	5567	5642	5945	5945	165	170	165	170	6/6	2950	3200	3500	3000	3300	3600							
	A2A30M500	A2A35M500	5000	3154	3269	5767	5842	6145	6145	165	170	165	170	6/6	2850	3100	3400	2900	3200	3500							
	A2A30M550	A2A35M550	5500	3404	3519	6267	6342	6645	6645	165	170	165	170	3/6	2670	3000	3300	2750	3100	3400							
	A2A30M600	A2A35M600	6000	3654	3769	6767	6842	7145	7145	165	170	165	170	3/6	2350	2650	2950	2500	2800	3100							
	Duplex full-free mast	A2A30U250	A2A35U250	2500	1834	1934	3316	3391	3645	3645	1018	1043	689	789	6/12	3000	3500	3800	3000	3500	3800						
A2A30U270		A2A35U270	2700	1934	2034	3516	3591	3845	3845	1118	1143	789	889	6/12	3000	3500	3800	3000	3500	3800							
A2A30U300		A2A35U300	3000	2084	2184	3816	3891	4145	4145	1268	1293	939	1039	6/12	3000	3500	3800	3000	3500	3800							
A2A30U330		A2A35U330	3300	2234	2334	4116	4191	4445	4445	1418	1443	1089	1189	6/12	3000	3500	3800	3000	3500	3800							
A2A30U360		A2A35U360	3600	2384	2484	4416	4491	4745	4745	1568	1593	1239	1339	6/12	3000	3500	3800	3000	3500	3800							
A2A30U400		A2A35U400	4000	2634	2734	4816	4891	5145	5145	1818	1843	1489	1589	6/12	3000	3500	3800	3000	3500	3800							
Triplex full-free mast	A2A30N400	A2A35N400	4000	2019	2119	4816	4891	5145	5145	1203	1228	874	974	6/6	3000	3400	3700	3000	3500	3800							
	A2A30N430	A2A35N430	4300	2119	2219	5116	5191	5445	5445	1303	1328	974	1074	6/6	3000	3300	3600	3000	3400	3700							
	A2A30N450	A2A35N450	4500	2169	2219	5316	5391	5645	5645	1353	1428	1024	1174	6/6	3000	3200	3500	3000	3300	3600							
	A2A30N470	A2A35N470	4700	2269	2419	5516	5591	5845	5845	1453	1528	1124	1274	6/6	2900	3100	3400	2950	3200	3500							
	A2A30N480	A2A35N480	4800	2319	2469	5616	5691	5945	5945	1503	1578	1174	1324	6/6	2900	3100	3400	2950	3200	3500							
	A2A30N500	A2A35N500	5000	2419	2619	5816	5891	6145	6145	1603	1728	1274	1474	6/6	2850	3100	3350	2900	3200	3450							
	A2A30N550	A2A35N550	5500	2619	2869	6316	6391	6645	6645	1803	1978	1474	1724	3/6	2670	3000	3250	2750	3100	3350							
	A2A30N600	A2A35N600	6000	2869	3119	6816	6919	7145	7145	2053	2200	1724	1974	3/6	2350	2650	2900	2500	2800	3050							
	A2A30N650	A2A35N650	6500	3119	3369	7316	7391	7645	7645	2303	2478	1974	2224	3/6	/	/	/	2200	2400	2650							
	A2A30N700	A2A35N700	7000	3369	3619	7816	7919	8145	8145	2553	2700	2274	2474	3/6	/	/	/	1850	2050	2250							

SUBTRACT 100kg WITH INTEGRAL SIDESHIFTER, SUBTRACT 200kg WITH EXTERNAL SIDESHIFTER.

3.5-3.8t can be equipped with 4.5m triplex mast for container work(2169mm).

Features

Truck	Standard	Options
Standard duplex mast	●	
Two-way multi-way valve	●	
Standard fork, fork carriage and load backrest	●	