

**HANGCHA GROUP CO., LTD.**

**Factory site:** 666 Xiangfu Road, Hangzhou, Zhejiang, China (311305)

Tel: +86-571-88926735 88926755  
Fax: +86-571-88926789 88132890

sales@hcforklift.com  
www.hcforklift.com



Follow us on Facebook



Follow us on YouTube



Follow us on WeChat



Download "Hangcha Forklift" App



HANGCHA GROUP CO., LTD. reserves the right to make any changes without notice concerning colors, equipment, or specifications detailed in this brochure, or to discontinue individual models. The colors of trucks, delivered may differ slightly from those in brochures.

2024 VERSION 1/COPYRIGHT 2024/H08



## Two-Wheel Drive Rough Terrain Forklift

with capacities of 2,500 to 3,500kg

The World of Hangcha



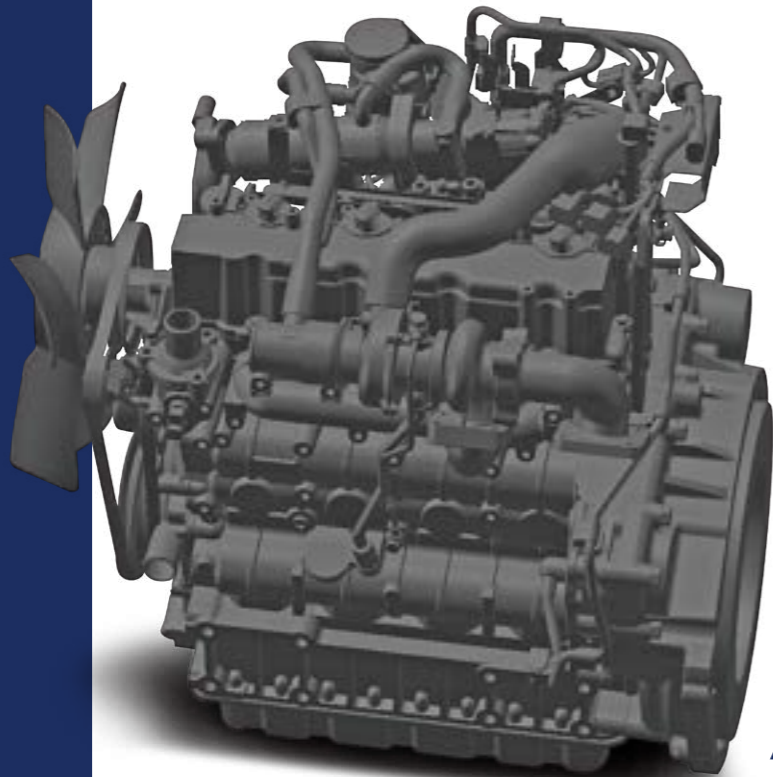
# HANGCHA be with you at every stage

Efficient, reliable solutions for your demands

## STAGE V & TIER 4F

With Hangcha you can meet all Stage V/Tier 4f emissions standards which provides customer demands for value, innovation and performance. The technologies include common rail fuel systems, diesel oxidation catalysts (DOC) and diesel particulate filters (DPF). Designed and optimised to every engine model, our forklift truck maximises efficiency and reliability.

**Powerful/  
Efficient/  
Reliable**



**KUBOTA**



Interactive instrument: The instrument adopts 4.0-inch color LCD display with four interactive buttons, and has one CAN bus communication function. The communication protocol is compatible with SAE J1939 standards.



### HANGCHA Forklift with StageV and T4F

No.	Capacity	Series	Manufacturer	Engine	Drive power	Model	Emission Std.	Transmission	Power (kw/rpm)
1	2.5-3.5t	RT	KUBOTA	V2607-CR-TE5B	Diesel	CPCD25/30/35-XW98E-RT2	StageV / Tier4 final	CHINA	47.3/2400

Note: RT means 2WD/4WD Rough Terrain forklift

# Two-Wheel Drive Rough Terrain Forklift

Hangcha 2.5~3.5t rough terrain forklifts is a tough, compact forklift with a two-wheel drive system. It is based on XF series IC forklift truck. It is world renowned for superior performance, economy and longevity.

**Simple/Solid/  
Smart**



## Reliability

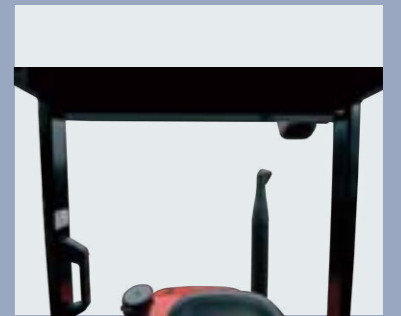
- / Suspension hydraulic transmission with two forward gears and one reverse, providing higher speed and greater gradeability; Drive axle is equipped with wide-base and deep tread tires, enhanced brakes, bearings, differential with automatic locking function, as well as enhanced steering axle assembly providing ultimate traction during inclement weather conditions and rough operating surfaces.
- / Dual air filter\extra capacity combined radiator with serpentine wave and optimized heat dissipation channel enhance the heat dissipation capability to keep engine reliability even in heavy-duty applications. Oscillating steer axle allows either wheel to step over obstacles keeping the truck and load level, high ground clearance offers greater maneuverability and keeps the truck moving in the roughest of applications.
- / The new vehicle controller integrates all electrical components, features excellent durability for temperature\water and vibration, and the oil filter\return oil filter are all work for the most demanding operation.

## Environmental friendliness

- / Each model employs a specially developed engine for the optimum balance of power and superior environmental performance, the truck is in compliance with EU III and EAP III control regulation.
- / The environment friendly materials, such as non-asbestos brake shoe and new type sealing gasket, are adopted entirely to meet environmental safety. And the noise level is reduced too.



The new efficiency lighting system employs LED illuminant and new type reflector to reduce energy consumption, improve significantly illumination performance and prolong work time



Optimized designing structure to offer a good visibility and easy entrance of the pallet



The new designed steering wheel\ new brake system and the easy-to-operate levers provide total handling operation



The easy-to-open hook provides quick access to the engine compartment



The large, spacious cab of our new boasts left and right grab handles with wide-opening doors for easy access

